



KÖSTER More

Technical Data Sheet RT 914 016

Issued: 2019-10-07

Emergency drainage Adapter for KÖSTER T Gully and KÖSTER T extension element

Features

- Emergency drainage
- Can be combined with KÖSTER T drain and extension element
- Excellent weathering stability (UV / IR Radiation)
- Resistant to common influences from environmental Pollution
- Shock and impact resistant
- Durable
- Excellent functionality thanks to tested, standard-compliant drain values

Technical Data

- Body: Polyamide, yellow
- With multi-lip angle sealing ring for sealing emergency drainage element to the gully or extension element
- Three infinitely height adjustable rubber buffers
- Surface area per foot: 19.6 cm²
- With galvanized threaded rod M 8 mm x 90 mm
- With screwed and removable cover for revision
- Housing with 51 surrounding bars
- Diameter gravel trap: 156 mm
- Fire behavior: Class B2
- Temperature resistance: - 20 ° C / + 80 °

Fields of Application

Additional element for emergency drainage of flat roofs.

Application

The KÖSTER More Emergency Overflow Adapter is installed in accordance with the KÖSTER installation instructions, the KÖSTER TPO installation instructions and the technical manual of KÖSTER BAUCHEMIE AG.

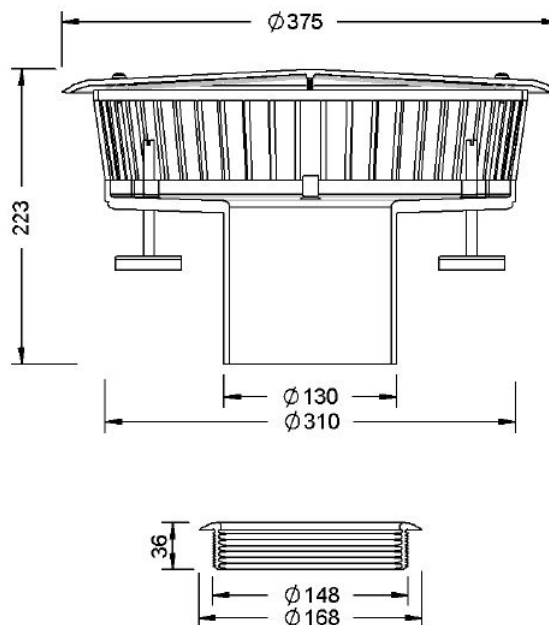
Packaging

RT 914 016 piece

Safety



Other



Related products

KÖSTER Roof Drain T DN 100 vertical Prod. code RT 914 010 S
KÖSTER T Roof Drain Extension Prod. code RT 914 014

The information contained in this technical data sheet is based on the results of our research and on our practical experience in the field. All given test data are average values which have been obtained under defined conditions. The proper and thereby effective and successful application of our products is not subject to our control. The installer is responsible for the correct application under consideration of the specific conditions of the construction site and for the final results of the construction process. This may require adjustments to the recommendations given here for standard cases. Specifications made by our employees or representatives which exceed the specifications contained in this technical guideline require written confirmation. The valid standards for testing and installation, technical guidelines, and acknowledged rules of technology have to be adhered to at all times. The warranty can and is therefore only applied to the quality of our products within the scope of our terms and conditions, not however, for their effective and successful application. This guideline has been technically revised; all previous versions are invalid.

KÖSTER BAUCHEMIE AG • Dieselstraße 1-10 • D-26607 Aurich • Tel. 04941/9709-0 • Fax -40 • info@koester.eu • www.koester.eu